

# Direct Current Bias Test

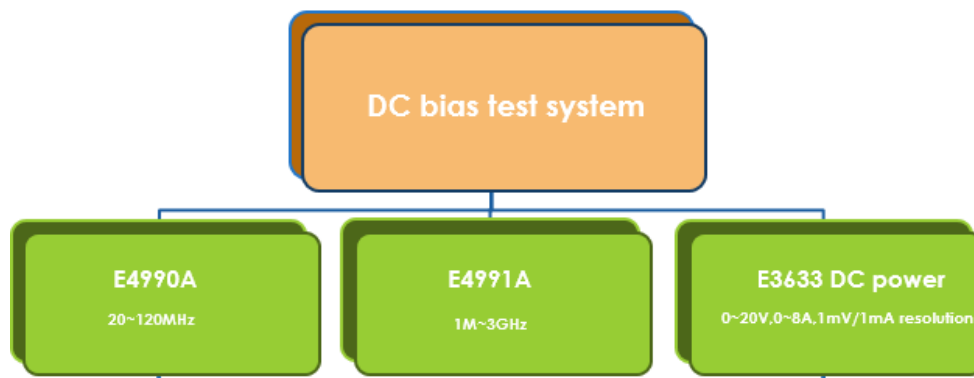
## Introduction

### Direct current bias

Direct current bias is a phenomenon that direct current signal exists in an alternate current. The magnetic permeability of magnetic material decreases thus reducing the inductance in DC bias effect. Generally defined DC bias corresponding inductance dropping 10%, 30% and 50% as saturation current depending on the products or applications. In practical applications current cannot exceed this standard.

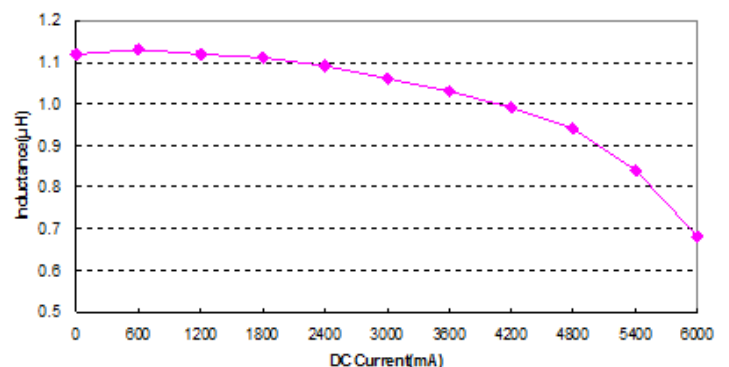
## Test System

We can test frequency range 20 Hz to 3 GHz under the bias current 5A (MAX.) with an external power.



## Data Output

Single point data can be saved and an saturation current curve on the right.



curve on the right.