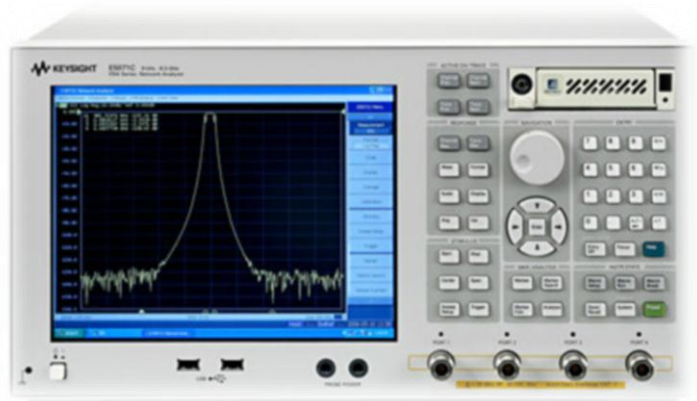


Vector Network Analyzer

E5071C is a 4-port vector network analyzer with extensive testing capabilities, data analysis features and data processing capabilities. It can be used to measure 4-ports RF devices and modules. It can also be



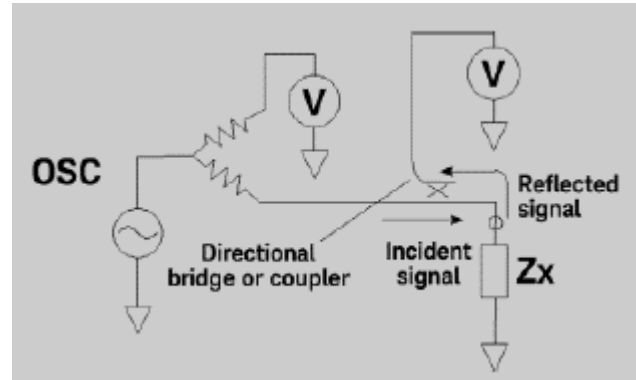
used to test material dielectric constant and impedance parameters of 2-port device by matching professional fixture and software.

❖ Instrument parameters

Device Name	E5071C
Measurement Points	20001
Frequency Range	100 kHz to 20 GHz
Dynamic Range	>123 dBm
Measurement Speed	41(MAX)
Source Power	-55 dBm to 10 dBm
Output Port	4

❖ Measurement method

The reflection coefficient is obtained by measuring the ratio of an incident signal to the reflected signal. A directional coupler or bridge is used to detect the reflected signal and a network analyzer is used to supply and measure the signals.



❖ Test item

S-parameters such as insertion loss, gain, return loss, VSWR etc. It can be used to test material dielectric constant and impedance parameters of 2-port device by matching professional fixture and software.

❖ Test object

ASM module, balun, CMC, couplers, power splitters, antennas, filters, and other LTCC microwave devices.